

VIEWTECH VT639HD CAMERA

IP69K | ISO 16750-3 5.9G Vibration Rating | Bullet Proof!

Our hardest wearing camera and we have not changed the housing for 10 years.

Works with all Viewtech vehicle monitors and Viewtech Fleetview.

3 Year Warranty

APPLICATIONS

- Traffic Management
- Marine
- Transportation
- Material Handling
- Agriculture

MAIN FEATURES

- IP69K Housing
- CVBS, AHD 720P, AHD 1080P Image formats
- Works with Fleetview

SMART IR

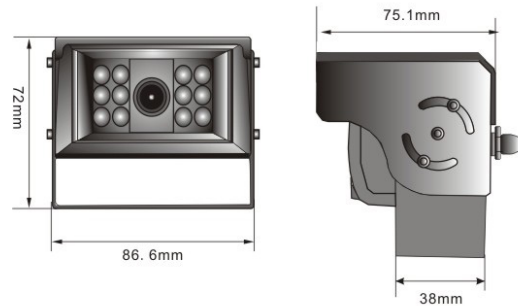
Automatic night vision provides images in pitch black and Smart IR ensures good exposure.

FIT FOR PURPOSE

Temperature and vibration ratings ensure the unit can survive extremely harsh conditions.

WORKS WITH VIEWTECH

Will work with all Viewtech monitors ranging from 5" to 10".



Works With
fleetview

CAMERA SPECIFICATIONS	VT639HD	VT639HD-720	VT639HD-1080	VT639HD-24
Camera Resolution	600TVL	720p	1080p	600TVL
Colour System	PAL			
Min Illumination	0.0Lux With Smart IR			
Heater	Yes (below 10°)			
Audio	Yes			
Vibration	ISO 16750-3 5.9G			
Field of View (Horizontal, Vertical, Diagonal)	95H x 70V x 120D	110H x 58V x 125D	110H x 58V x 125D	95H x 70V x 120D
Voltage	12V DC	12V DC	12V DC	24V DC
Size	86 x 72 x 75			
Cable Tail Length	300mm			
Connector	EzyConnect 4-pin			
Water	IP69K			



3 YEAR NZ/AU WARRANTY



24-HOUR SUPPORT



ONLINE ASSISTANCE



SMART TECHNOLOGY



FIT FOR PURPOSE

viewtech.co.nz
0800 888 324